

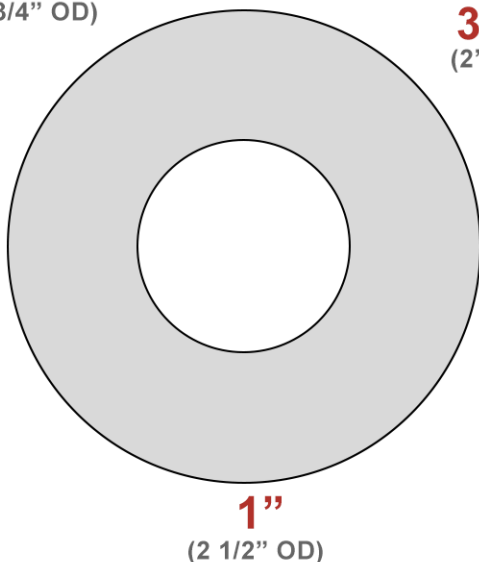
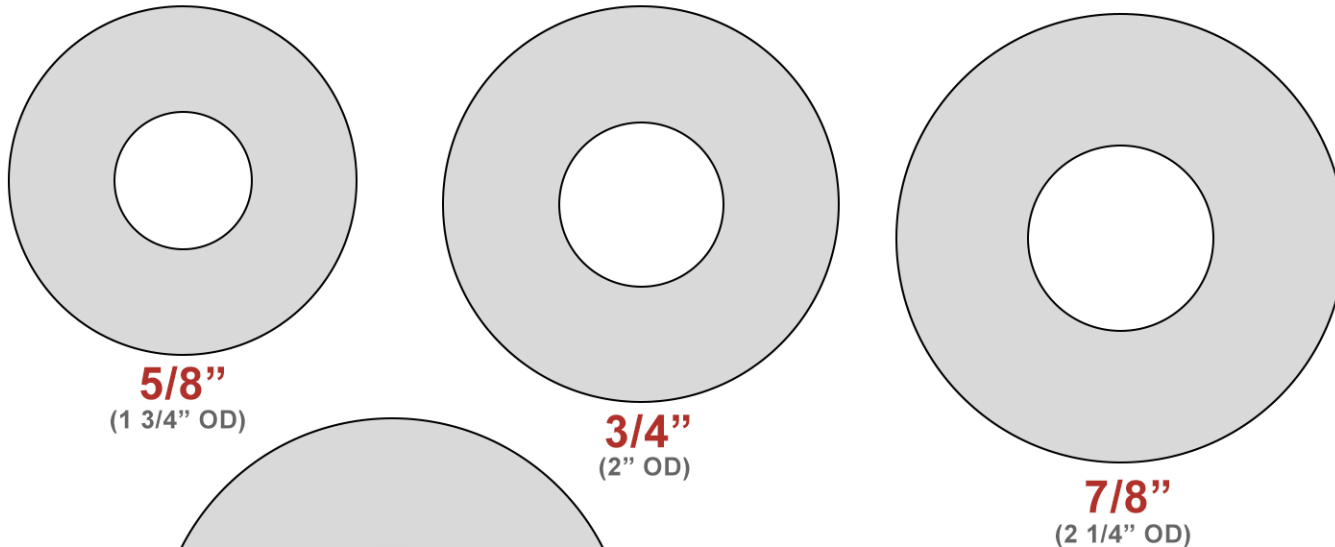
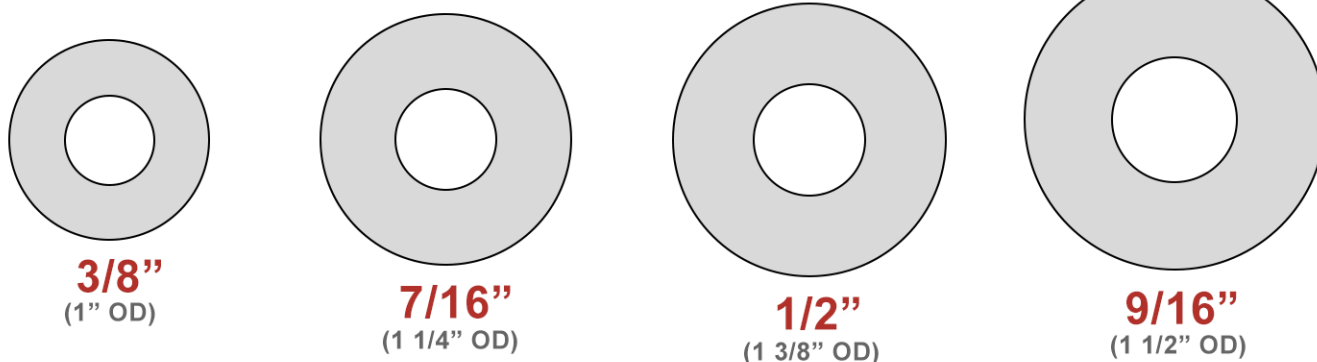
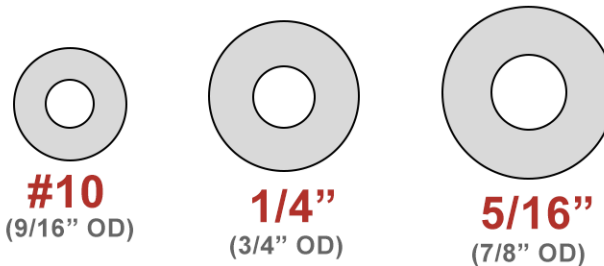
FASTENER GUIDE

USS FLAT WASHER SIZES



FASTENER*SUPERSTORE*

Washer sizes correspond with the threaded fastener they are being used with. For example, a 1/4" washer will fit with a 1/4" bolt, and therefore has an inner diameter of just over 1/4".



SIZE	DIAMETER	
	INSIDE	OUTSIDE
1-1/8"	1-1/4"	2-3/4"
1-1/4"	1-3/8"	3"
1-3/8"	1-1/2"	3-1/4"
1-1/2"	1-5/8"	3-1/2"
1-5/8"	1-3/4"	3-3/4"
1-3/4"	1-7/8"	4"
2"	2-1/8"	4-1/2"

IMPORTANT: Make sure to print this chart to Actual Size (no scaling).

